

TRAFFIC RADAR 24 GHZ IRZ SensR-24.01



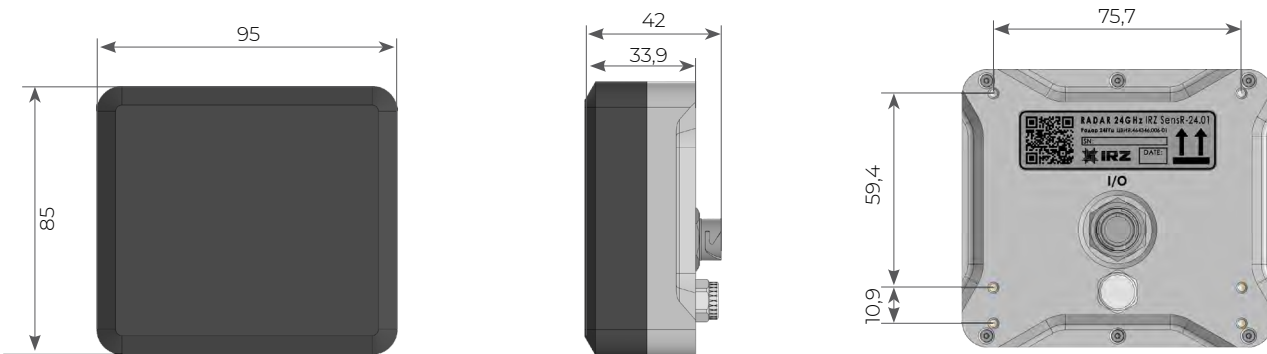
+7 (3412) 501-501

export@irz.ru

en-telecom.irz.ru

Application

Traffic Radar 24 GHz (IRZ SensR-24-01) is designed for measurement of the range, driving direction and object speed. It is used as a part of vehicles detection systems.



Technical characteristics

Parameter	Value
Maximum detectable distance to a vehicle	150 m
Minimum detectable distance to a vehicle	10 m
Deviation of the absolute distance value determination	3% / 0.5 m
Speed range	-350 to +350 km / h
Minimum determined absolute value of the speed	1 km / h
Deviation of determining the absolute speed value	≤1 km / h
Angle of view: - azimuth - elevation angle	-15...+15° -8...+8°
Road width	16 m
Simultaneously detected objects	up to 64
Data refresh rate	≥20 Hz (25 fps)
Communication interface	RS-485 (full duplex)
Start-up time	≤ 1.1 min
Supply voltage	12 VDC
Power consumption	≤ 8 W
Environment operating temperature range	-40...+50°C
Shock resistance of the front cover	IK10 (option)
Protection rating	IP67
MTBF	≥30 000 hours
Classification	6 and more types of vehicles (pedestrian, bicycle/motorcycle, truck, long truck)
Accuracy of detecting	≥ 95 %
Accuracy of classification	≥ 85 %
Average service life	≥5 years
Overall dimensions, (LxWxH)	95 x 85 x 42 mm
Mounting hole	M3 x 6-10 / 0.5 x 45°
Weight	≤400 g

PROTECTION RATING IP67



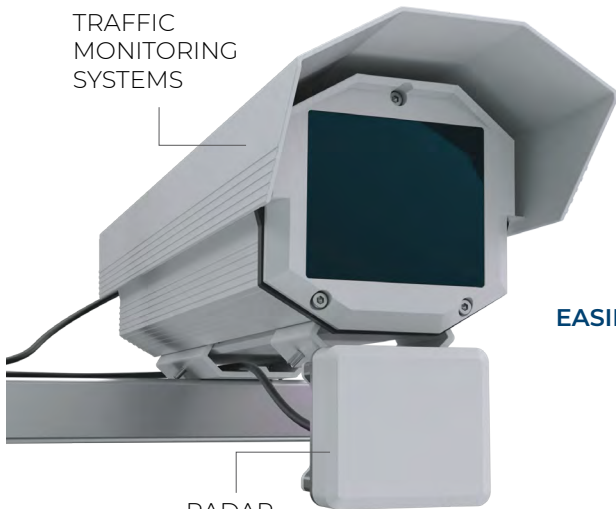
SHOCKPROOF CASE

OPERATING TEMPERATURE
-40...+50 °C



4 MOUNTING HOLES M3 X 6

TRAFFIC
MONITORING
SYSTEMS



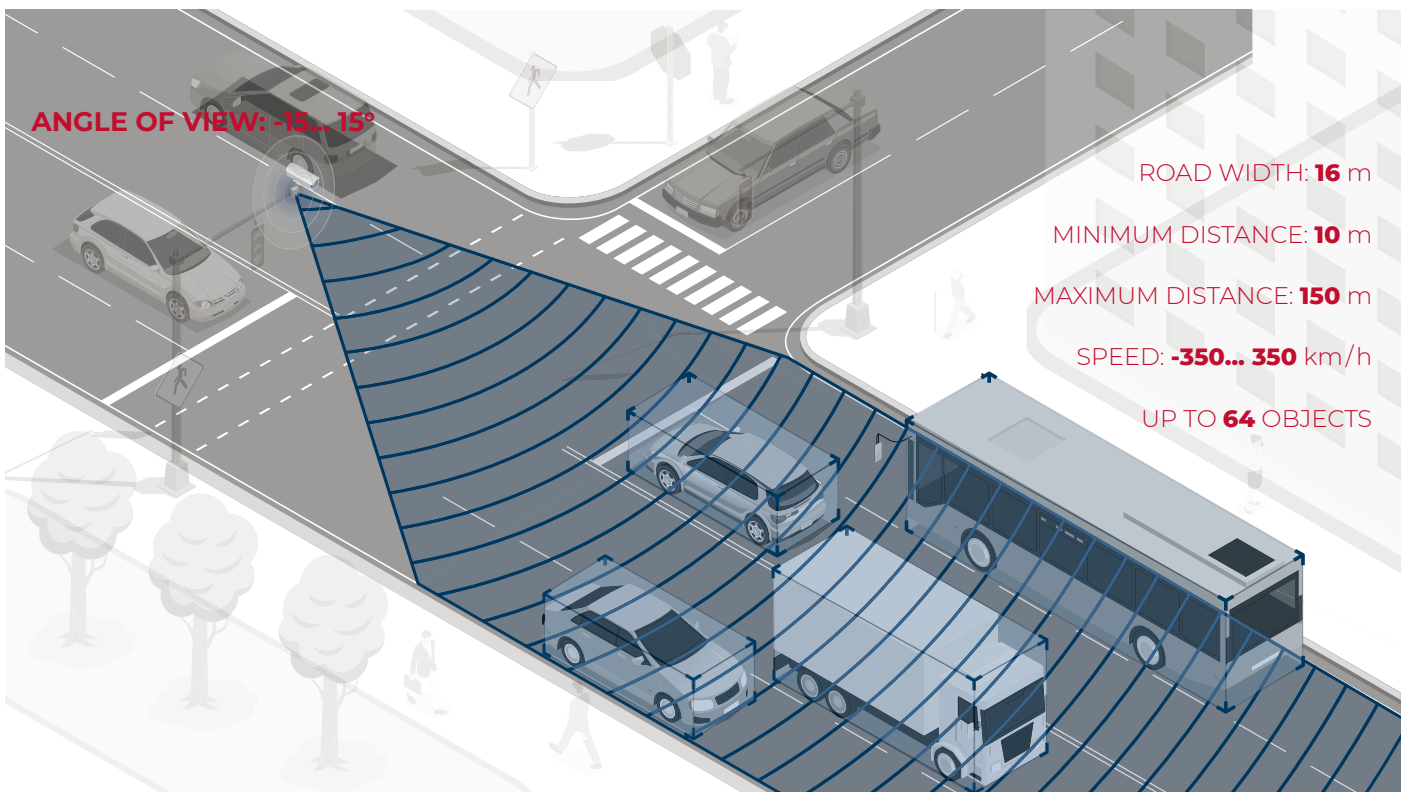
RADAR

SCREW FASTENING
M3 X 6



BRACKET

EASILY INTEGRATED
WITH TRAFFIC
MONITORING
SYSTEMS



ANGLE OF VIEW: -15... 15°

ROAD WIDTH: **16** m

MINIMUM DISTANCE: **10** m

MAXIMUM DISTANCE: **150** m

SPEED: **-350... 350** km/h

UP TO **64** OBJECTS